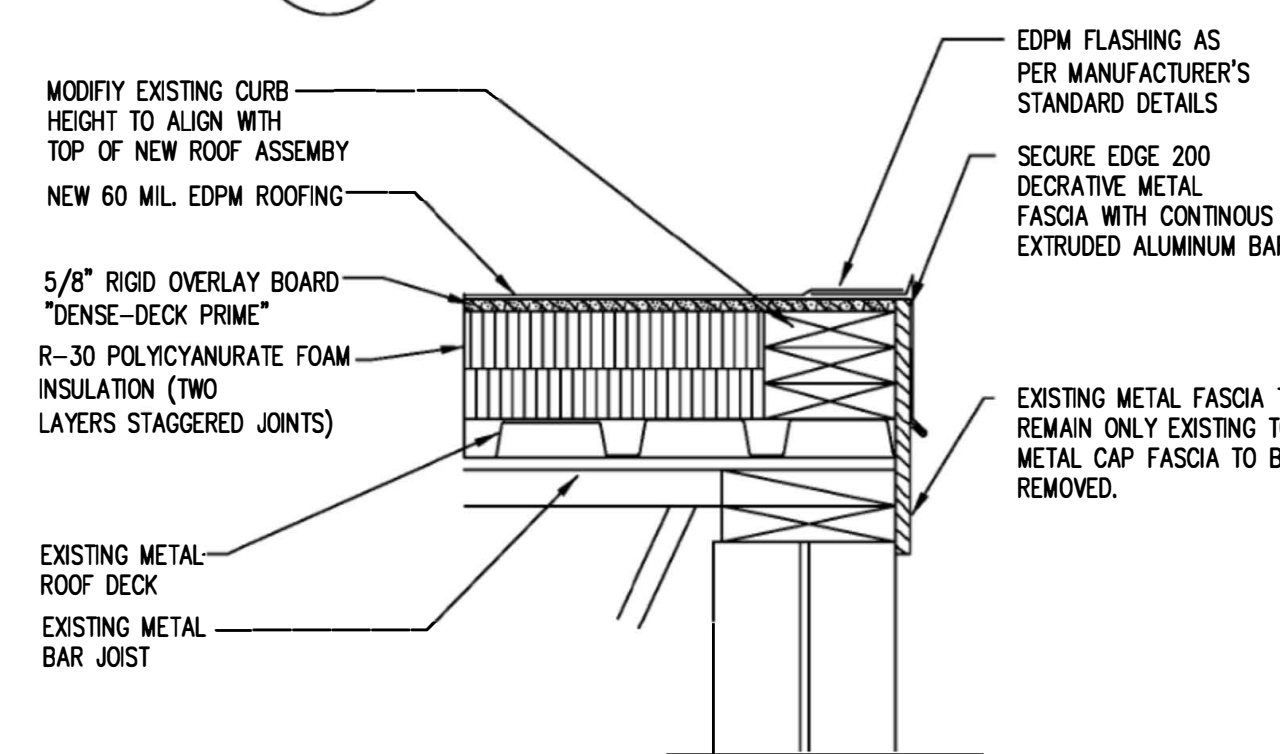
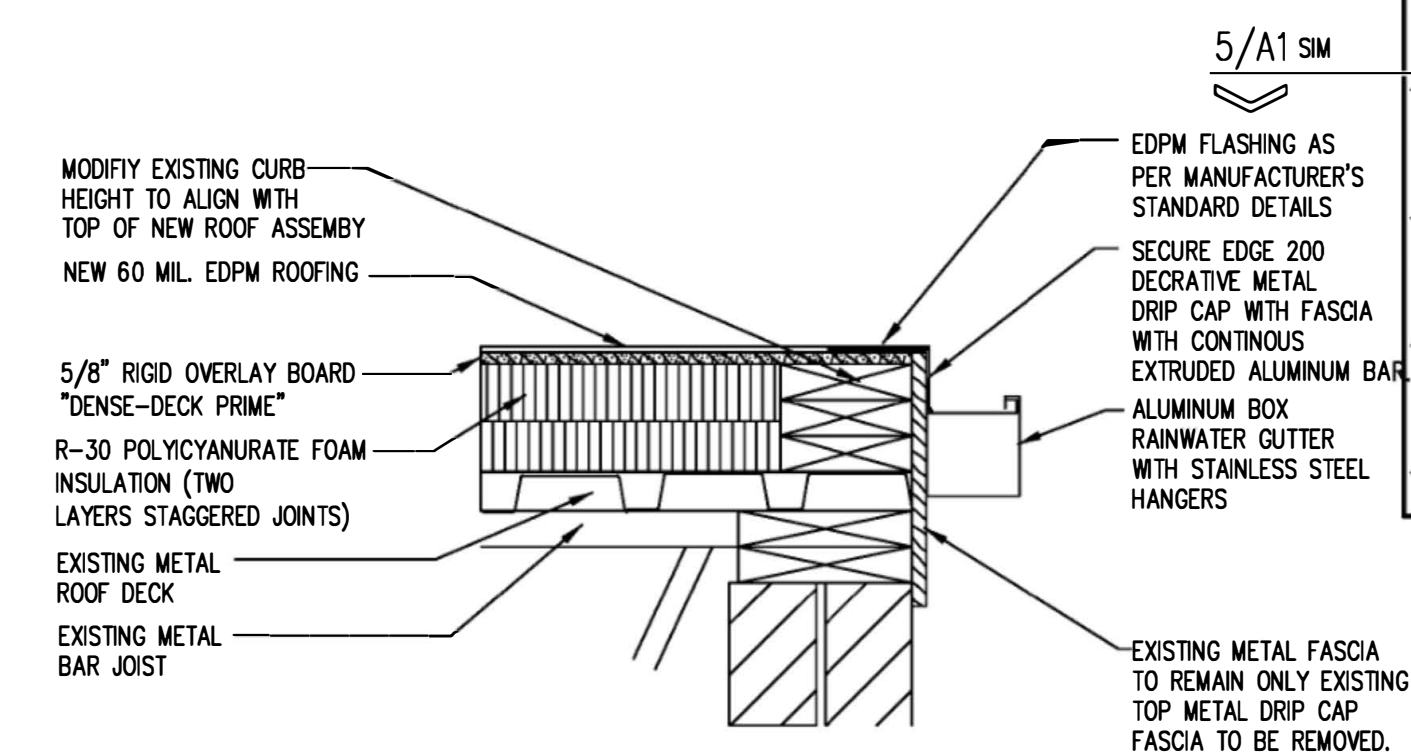


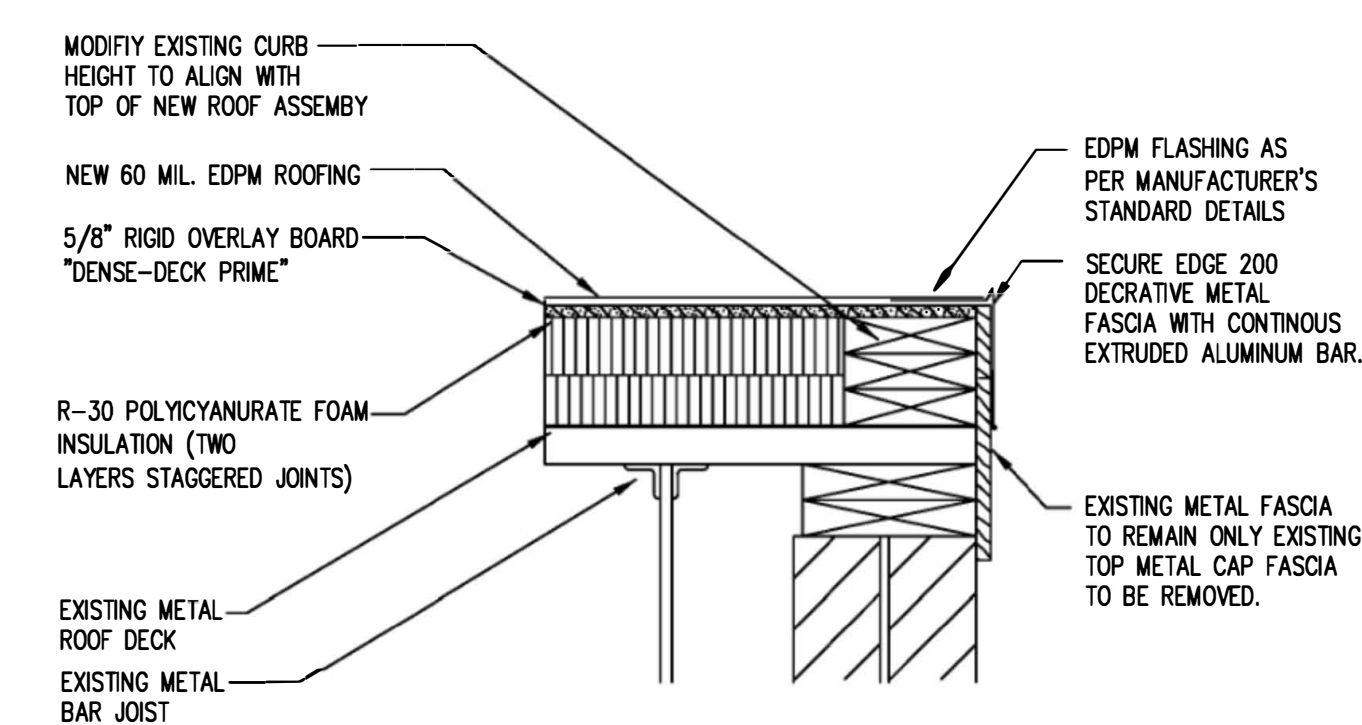
2 SANITARY SEWER VENT DETAIL
A1 1.5"=1'-0"



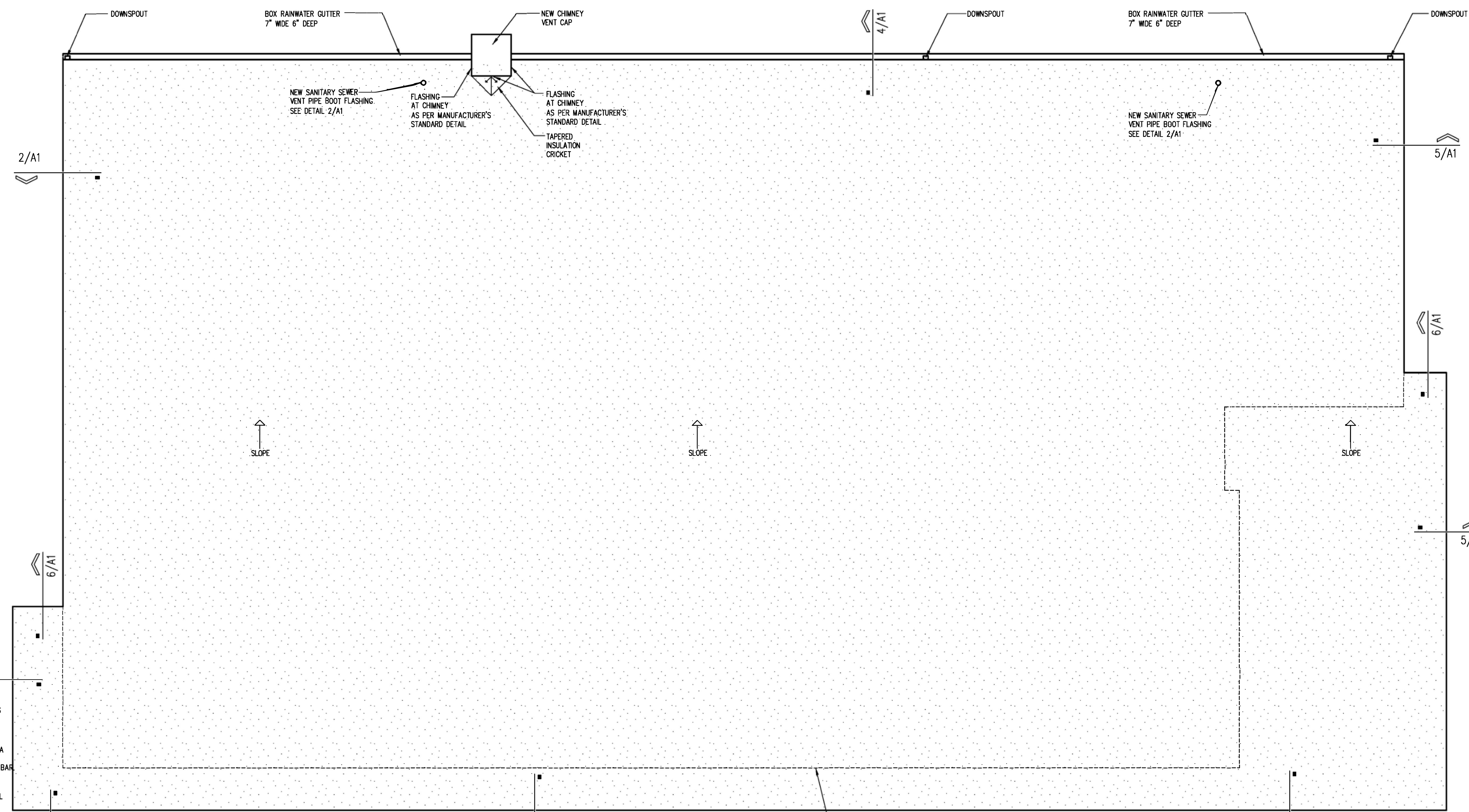
3 BEARING WALL ROOF CAP FLASHING
A1 1.5"=1'-0"



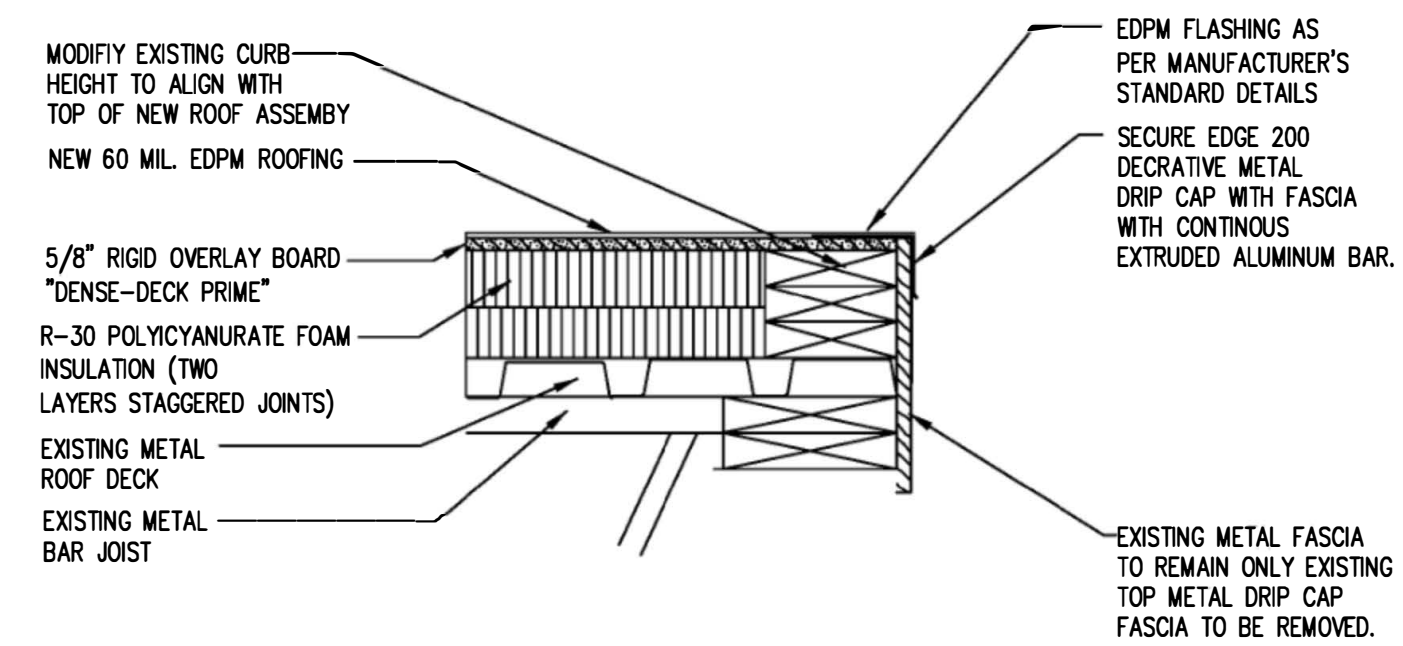
4 BEARING WALL ROOF CAP FLASHING WITH ROOF RAINWATER GUTTER
A1 1.5"=1'-0"



5 NON BEARING WALL CAP DETAIL
A1 1.5"=1'-0"



1 ROOF PLAN
A1 1/4"=1'-0"



6 BEARING WALL ROOF CAP FLASHING WITH ROOF RAINWATER GUTTER
A1 1.5"=1'-0"

C:\WINDOWS\DESKTOP\PROJECTS\883 MAIN STREET MCCALL FOUNDATION\883 EXISTING FLOOR PLAN 12-20-2022.DWG 11/23/22 11:03 AM

ROOF REPLACEMENT PROJECT
883 MAIN STREET
TORRINGTON, CT
FOR
McCall Foundation Inc.

Mark	Date

Drawing Title:
Roof Plan
Roof Details

Date: 06/11/2024
Scale: 1/4"=1'-0"
Job No. CDN.
Drawing No. **A1**

BOE STUDIO
architects
19 Tioga Street Torrington, CT 06790
e-mail: boestudio1@optimum.net
PHONE/FAX 860-489-3771